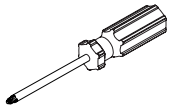


# Cupboard – Single

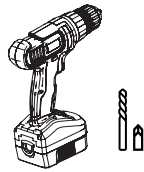
## Assembly Instructions

- Take great care handling and lifting parcels
- Open parcels with care to avoid damage
- Check the label to see the contents of each parcel
- If you have ordered several items, keep it simple: only unpack one item at a time
- Use the the Parts Diagram sheet to identify and distinguish between parts
- Any questions: call us on **01227 833333**, or email **sales@jali.co.uk**

### YOU WILL NEED



5mm Pozi  
Screwdriver



Power Drill +  
2mm Drill Bit  
& Pozi Drive

### EXTRA

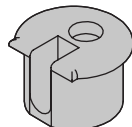
- You must fix your product safely in place. Depending on your situation, you may choose to use a drill, suitable screws and wall plugs
- You may wish to use Wood Glue to fix skirting in place
- To ensure a perfect fit with your room skirting board, you may use a saw to scribe the relevant parts during assembly

### FIXINGS INCLUDED

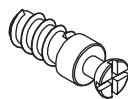
Plus Door Handles with Bolts as required



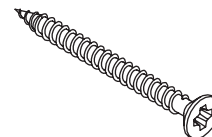
White Cam



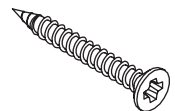
Nickel Cam



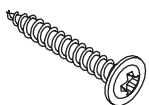
Cam Bolt



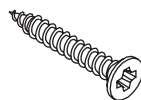
45mm CSK  
Screw



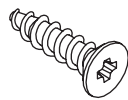
30mm CSK  
Screw



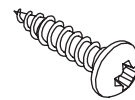
25mm WSH  
Screw



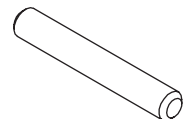
25mm CSK  
Screw



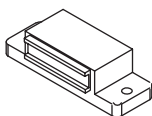
16mm CSK  
Screw



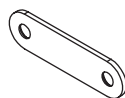
16mm RND  
Screw



Dowel



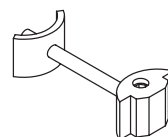
Magnetic  
Catch



Magnetic  
Catch Plate

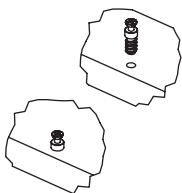


Hinge

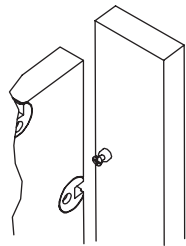


Connector  
*in some cases*

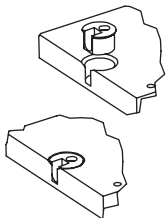
## HOW DO CAM & BOLTS WORK?



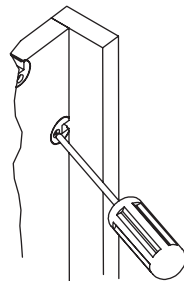
1. Screw the metal bolt, up to the shoulder, into the 5mm hole in one part.



3. Push the two parts together, so that the metal bolts disappear into the middle of the cams.



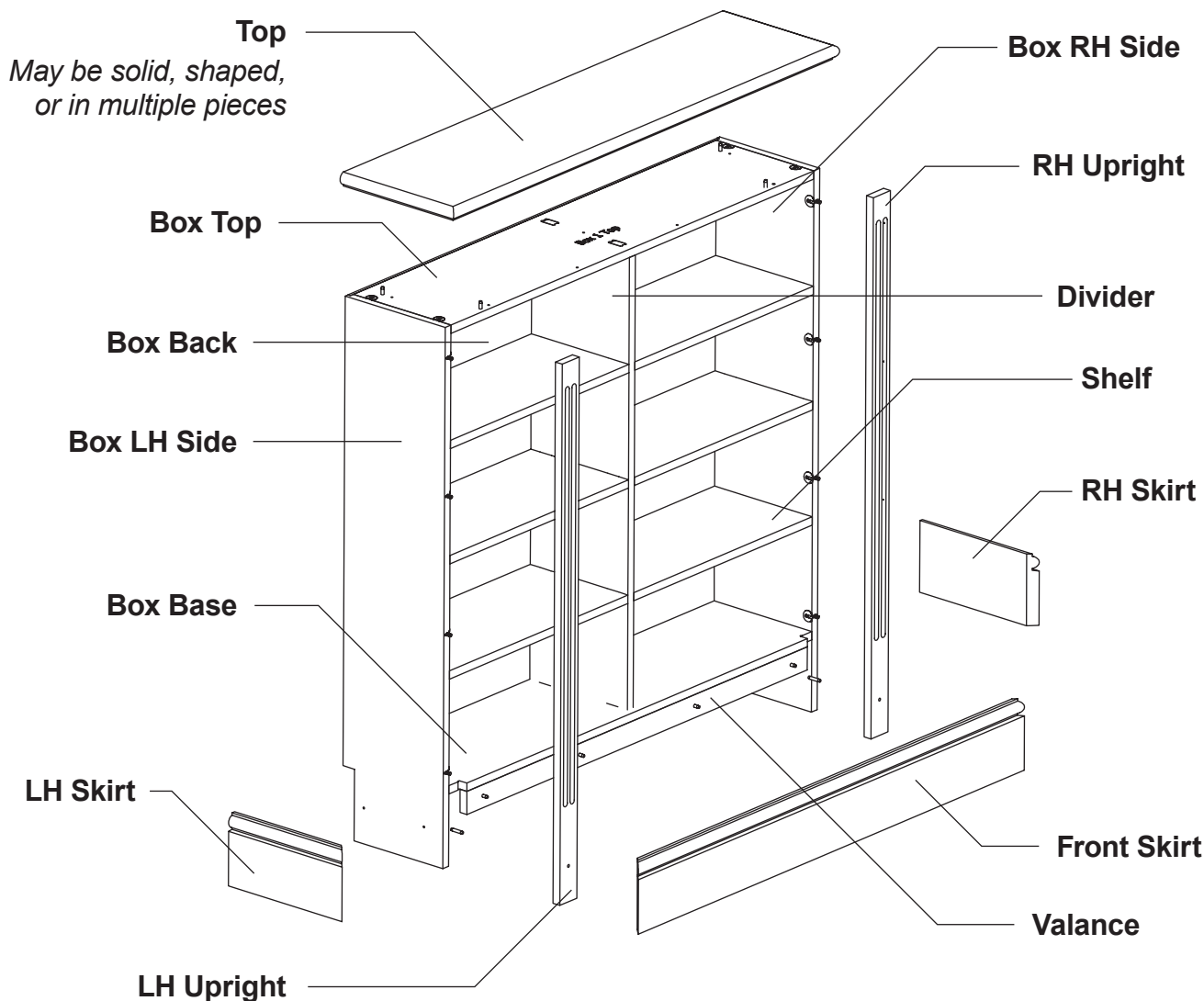
2. Push the cam, facing outwards, into the corresponding hole on the other part.



4. Insert a 5mm Pozi screwdriver – tilt back at a slight angle – and rotate CW to lock the bolt in place.

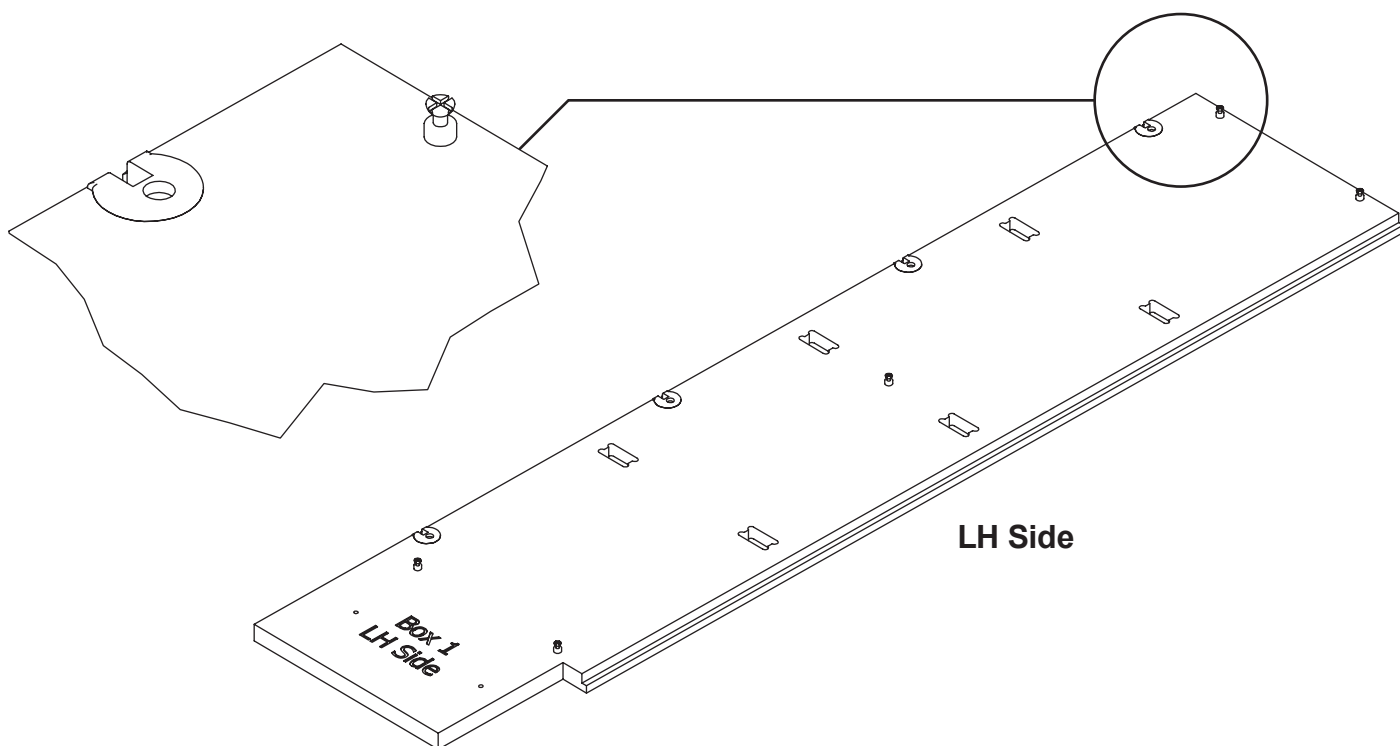
## SEE HOW IT COMES TOGETHER

1. Start by identifying the parts. Your design may be different to this example, but don't worry; it will become clearer as we work through. Shown below without doors!

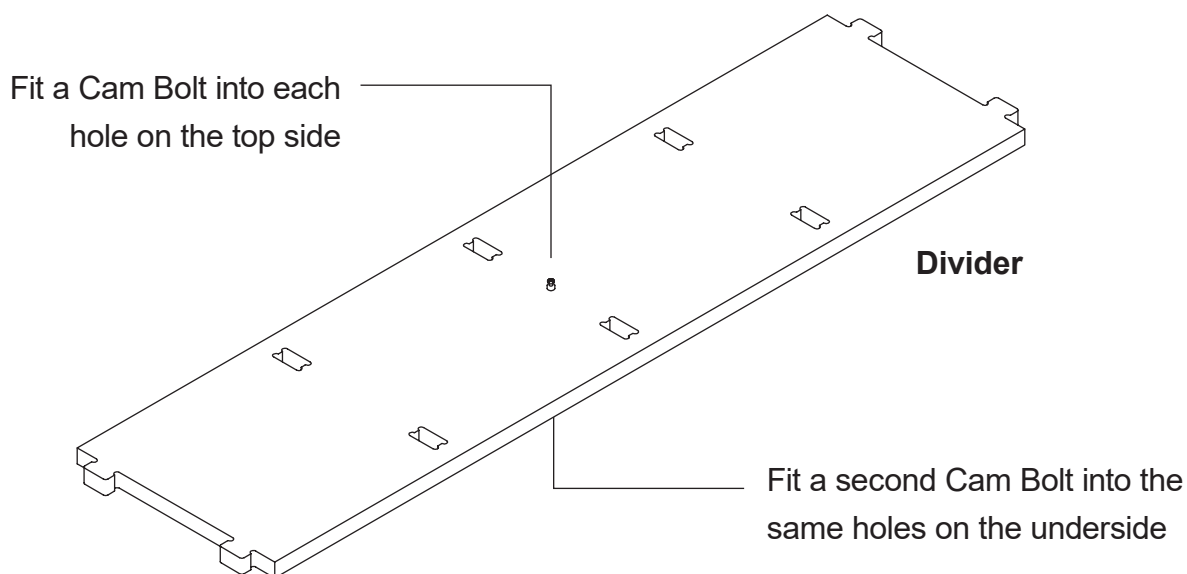


## PLACE FIXINGS

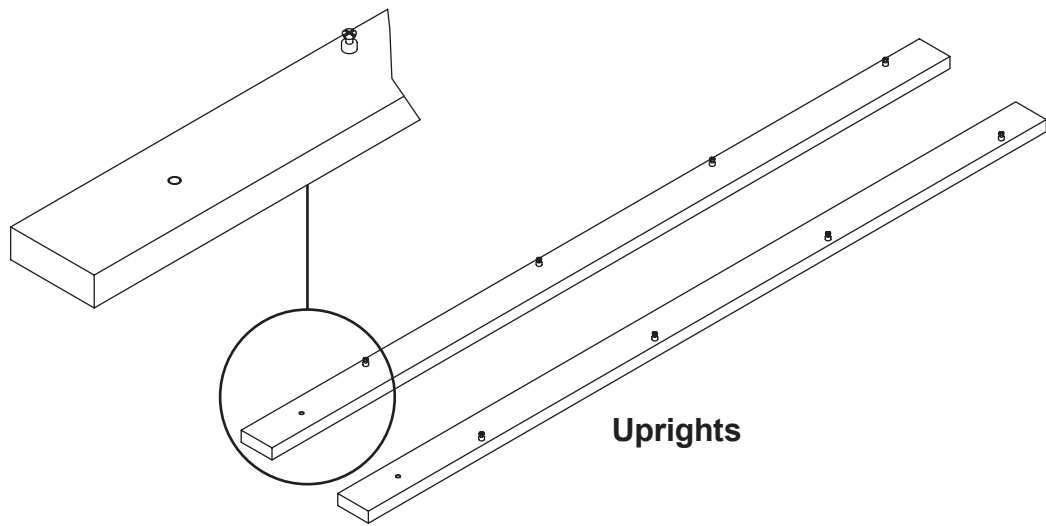
---



2. We'll start with the left hand (LH) and right hand (RH) Sides. Place the Nickel Cams in all the available holes, facing outwards. Using the screwdriver, or a power tool on a low setting, screw the Cam Bolts into the available 5mm holes on the LH & RH Sides. Unlike the 6mm holes, these 5mm holes do not go all the way through.

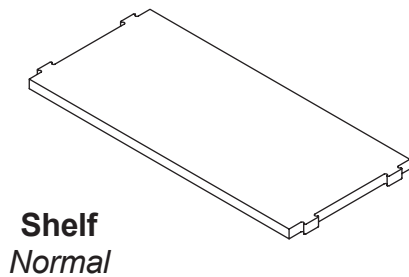


3. If your design features any Dividers, look for 5mm 'through' holes. Each hole requires a Cam Bolt on each side. Screw in all Cam Bolts required on one side of the Divider, then turn the Divider over, and screw in Cam Bolts, in the same holes, on the opposite side.

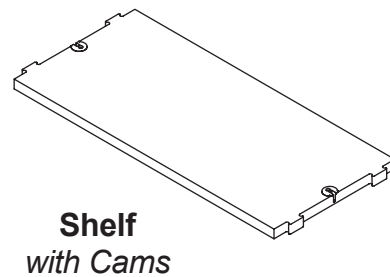


**Uprights**

4. The LH & RH Uprights each have a row of 5mm holes. Screw a Cam Bolt into each of these. There is also one central 6mm hole in each, but leave those for now.



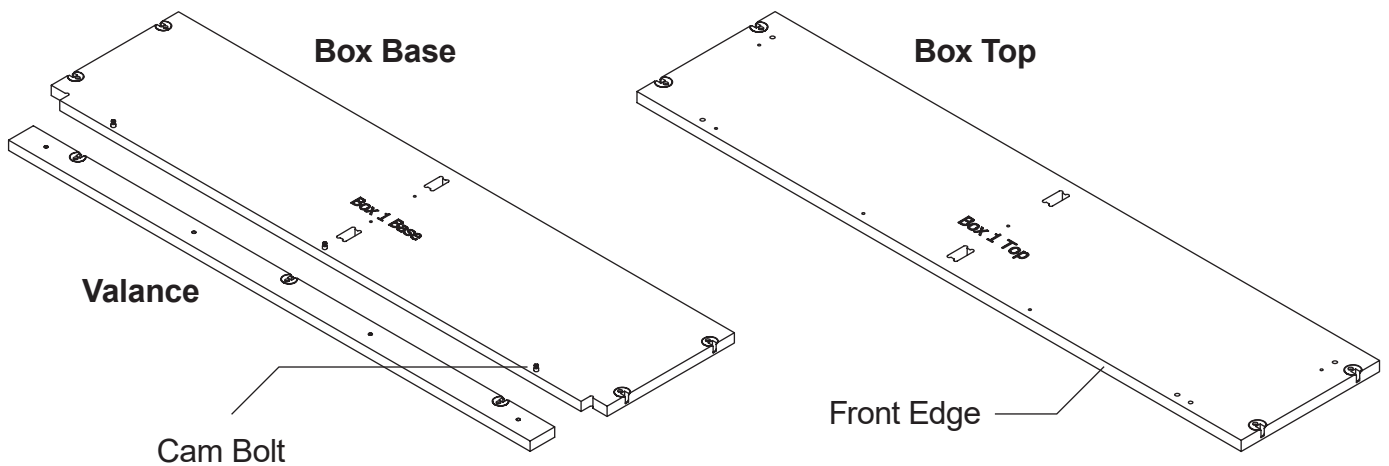
**Shelf**  
*Normal*



**Shelf**  
*with Cams*

5. On taller units, one or more of the Shelves may have cam holes. Place Nickel Cams in these.

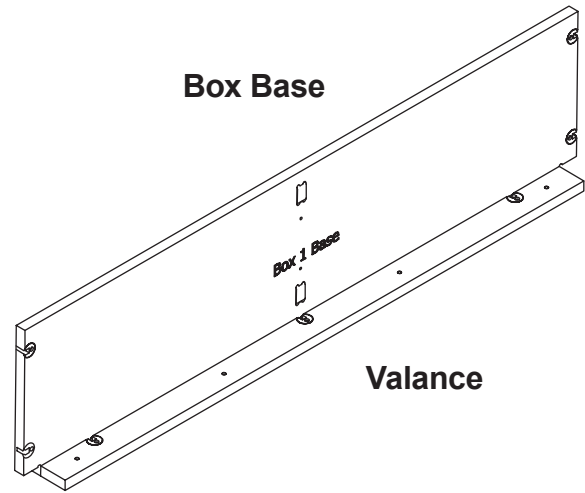
6. Place White Cams in the Box Base, Box Top and Valance cam holes. Depending on your design, the Valance strip could be taller than this example. Screw Cam Bolts into the 5mm holes along the Box Base front edge.



## BOX ASSEMBLY

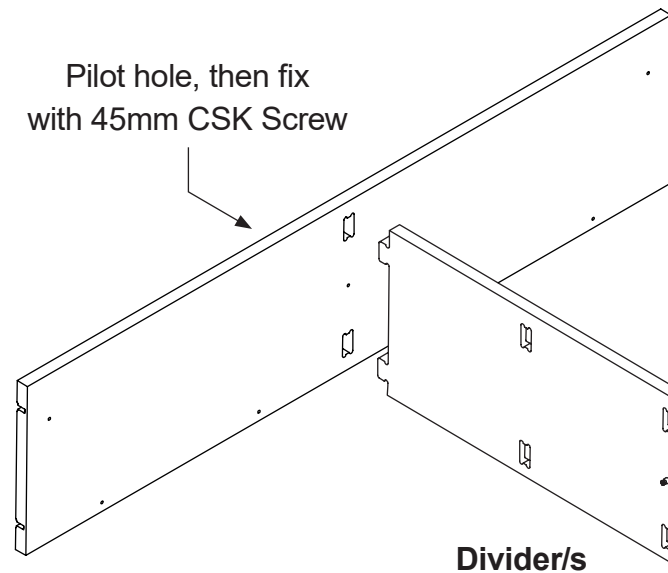
7. Align the Valance White Cams with the Box Base Cam Bolts, then lock each cam securely in place. See Page 2 for help with cams.

8. Now we'll assemble the main box. The best order to follow depends on how many Dividers and Shelves are within the box, so read this section before you start. Lay the parts out on the floor as shown in the following illustrations. Ensure that the front edges of all parts are towards the floor, and that all joins appear to align properly.



If you **have no Dividers**, skip ahead to **Step 9**.

If you have **more than one Divider**, start by placing all the necessary shelves between the Dividers, as we won't be able to access this space later once the Dividers are fixed in place. Wherever (if) the Divider features a central Cam Bolt, place one of the Shelves with cams. After locating the other normal Shelves, lock these Shelf cams into place to hold the structure together. *Now continue with the next paragraph.*



### Box Top

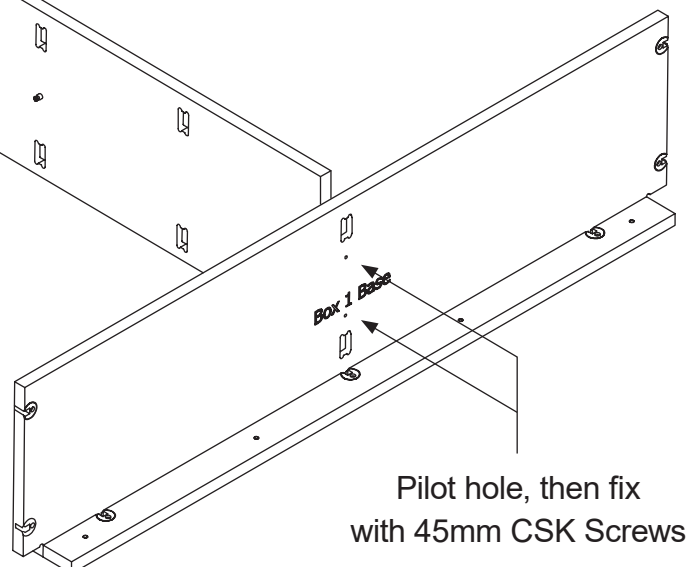
Front edge to the floor,  
engraved label facing away

### Divider/s

### Box Base

Front edge to the floor,  
engraved label facing towards

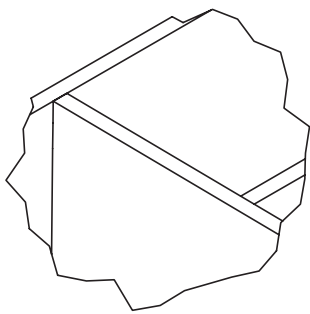
If you have **just one Divider**, the Box Top and Box Base can now be attached to the Divider/s. After locating them, use a 2mm Drill to create pilot holes (through the pre existing 4mm holes), before screwing the parts together with 45mm CSK Screws. The pilot hole is necessary to ensure that the wood won't split.



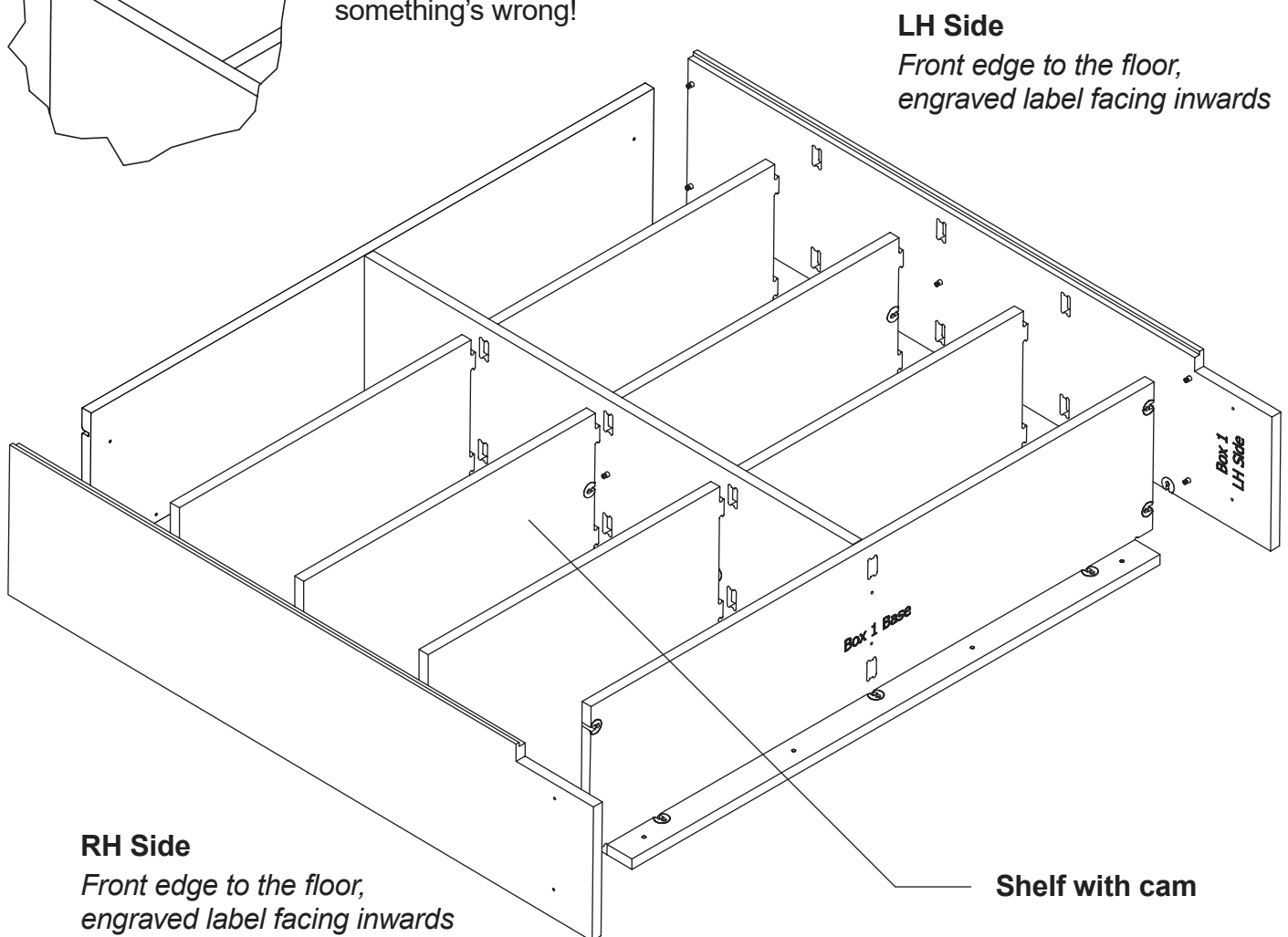
Pilot hole, then fix  
with 45mm CSK Screws

9. If you **have no Dividers**, place the Shelves between the LH and RH Sides. Wherever (if) the Side features a central Cam Bolt, place one of the Shelves with cams. Lock them in place. With all the Shelves in place, locate the Box Top and Box Base with the Side Cam Bolts, and lock these securely in place.

If you **have Dividers**, now place the (remaining) Shelves between the Sides and any Dividers. Wherever (if) the Side features a central Cam Bolt, place one of the Shelves with cams. Lock them in place. With all the Shelves in place, locate the Box Top and Box Base with the Side Cam Bolts, and lock these securely in place.



The top edge of all parts should be flush with each other. If not, something's wrong!



**LH Side**

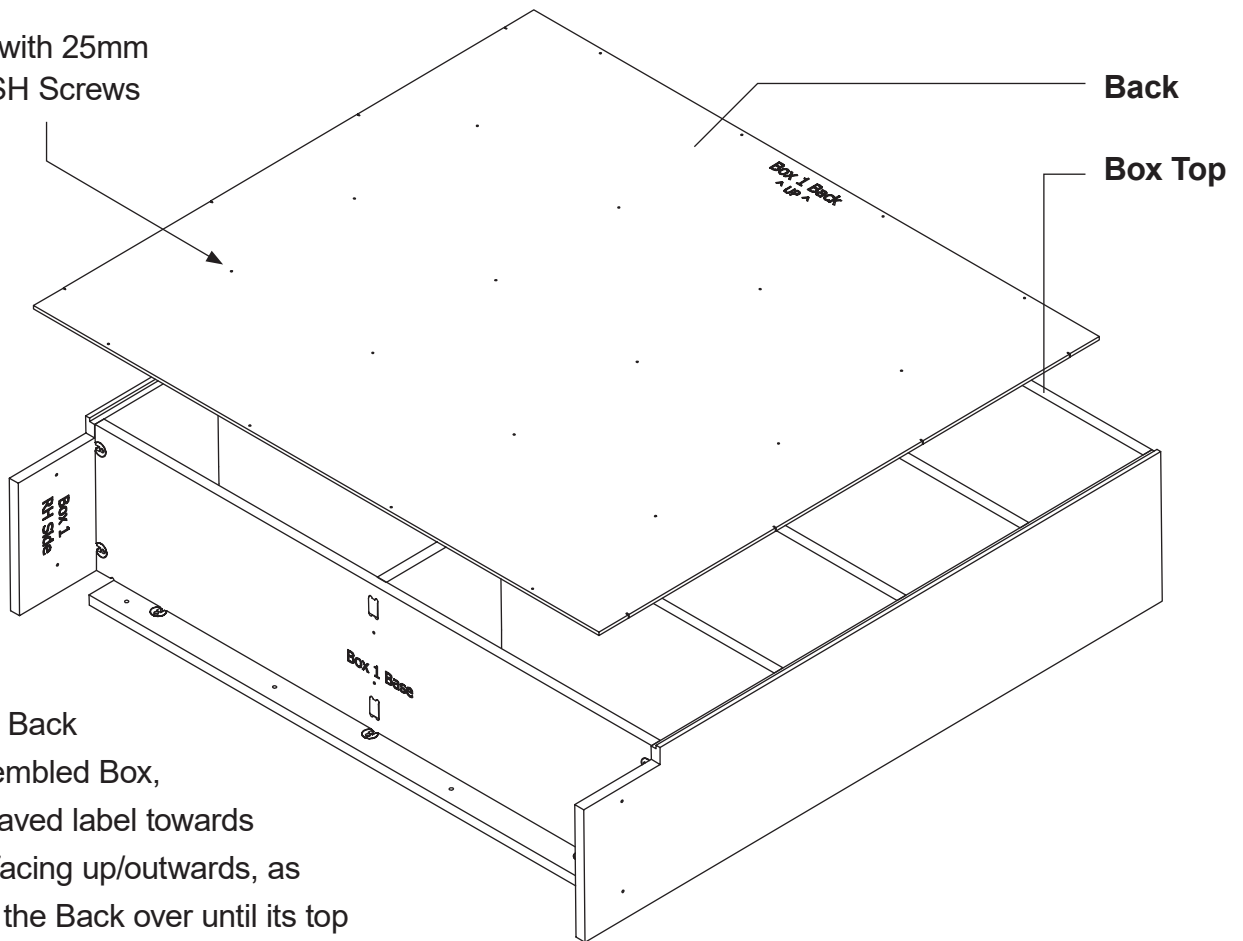
*Front edge to the floor,  
engraved label facing inwards*

**RH Side**

*Front edge to the floor,  
engraved label facing inwards*

**Shelf with cam**

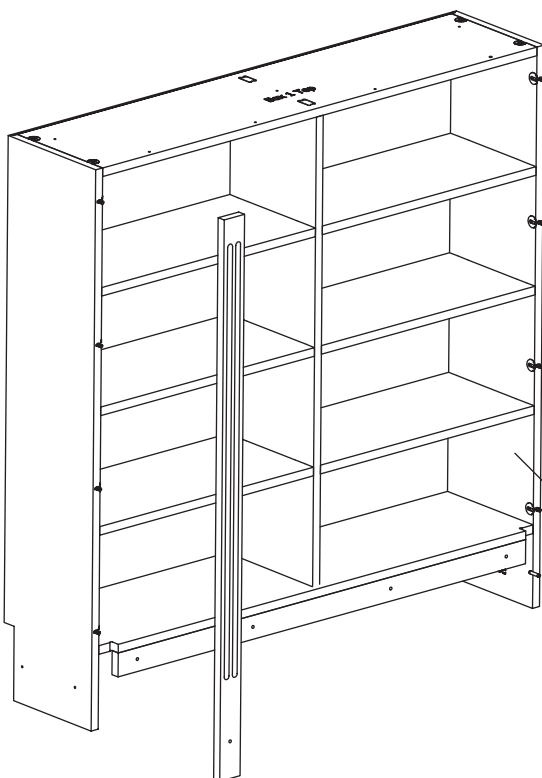
Fix with 25mm  
WSH Screws



Back

Box Top

10. Place the Back onto the assembled Box, with the engraved label towards the top, and facing up/outwards, as shown. Slide the Back over until its top edge aligns perfectly with the top edge of the Box Top. Once in place, screw along the top edge with 25mm WSH Screws, through the 3mm holes. Now fix down one side, accurately realigning the Back edge to the Side as you go. Effectively you are using the Back to square up the Box. Once this is done you can screw in all the remaining 25mm WSH Screws across the Back, securing it in place.



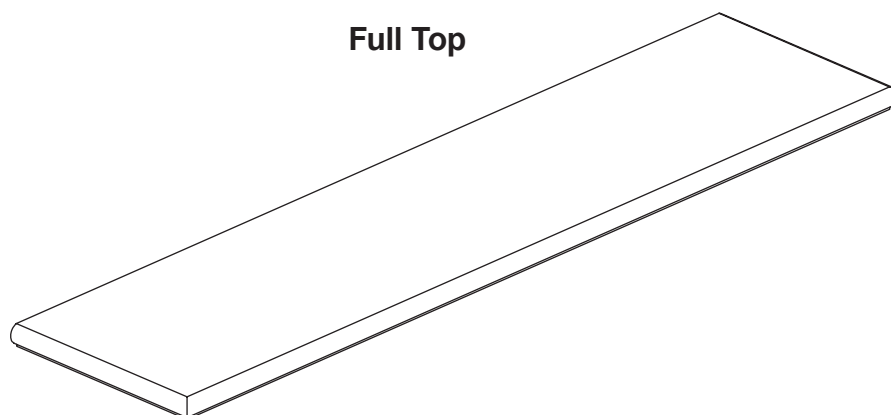
11. Carefully stand the Box up. If it is too large to do safely, you'll need to enlist some help.

Fit the uprights to the Sides by aligning the cams and locking them into place. Ensure the hinge holes face inwards.

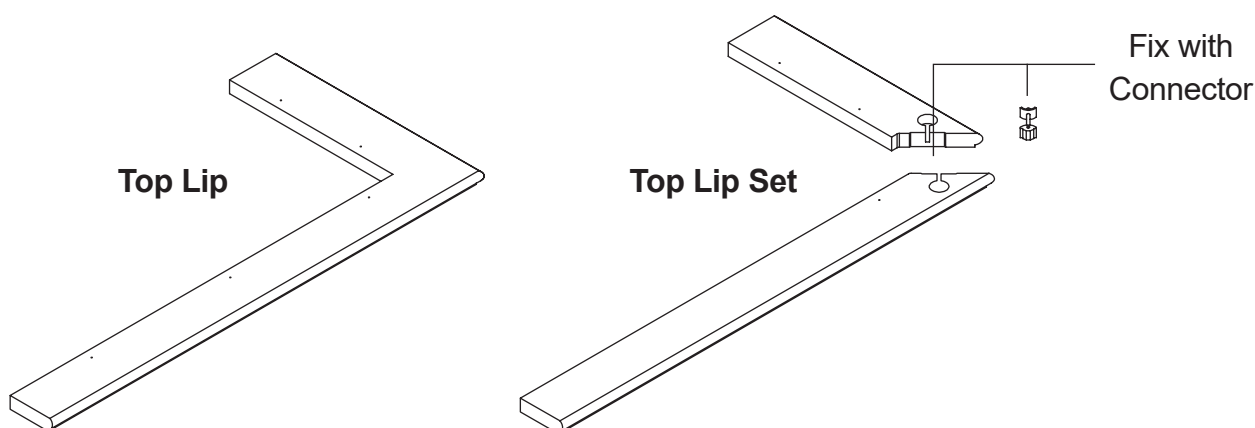
Side

Upright

12. Depending on your design, you may have one of a variety of different Top styles. The most common is simply a solid 'Full' Top board (18mm or 30mm thick). Locate the Top to the Box Top using Dowels. It can be glued into place, screwed into place from beneath, or left as is. For 30mm Tops, use 45mm CSK Screws. For 18mm Tops, use 30mm CSK Screws.



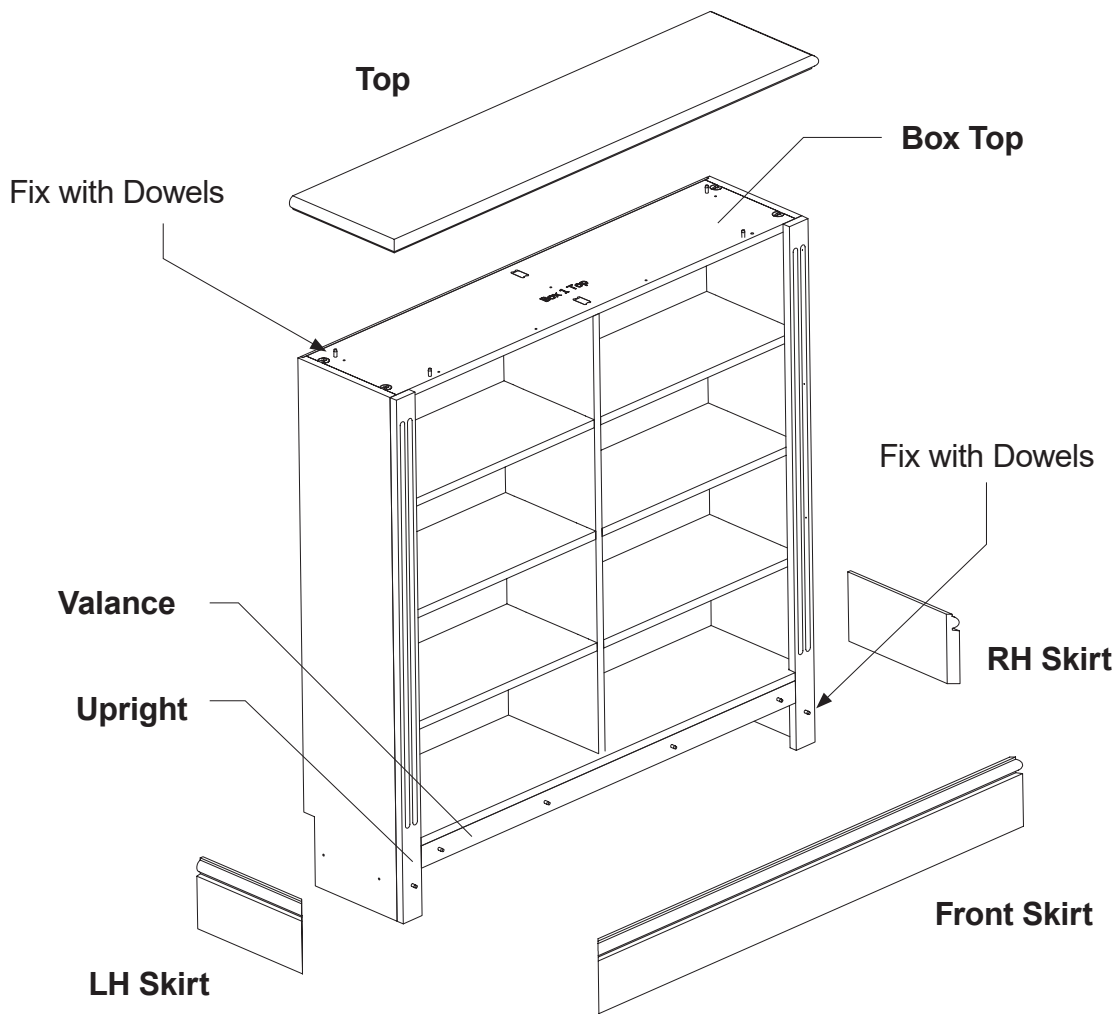
Alternatively, you may simply have a Top 'lip'. This can be located using Dowels, and glued or screwed from above. This may be supplied as one single component or several parts which join together with a Connector (using the hex key provided).



For exceptionally wide units, the Top and Skirting may be supplied in several lengths.

13. Fit Dowels into the Front Skirt holes, and push home the Front Skirt into the holes on the Uprights and Valance. This can be glued into place, or left as is. Depending on your design, you may have LH and/or RH Skirts. If you wish, you can scribe these Skirts to match your room skirting. When placing the LH & RH Skirts, ensure that the mitre matches neatly with the Front Skirt. They can be either glued in place, or screwed from the inside using 30mm CSK Screws.

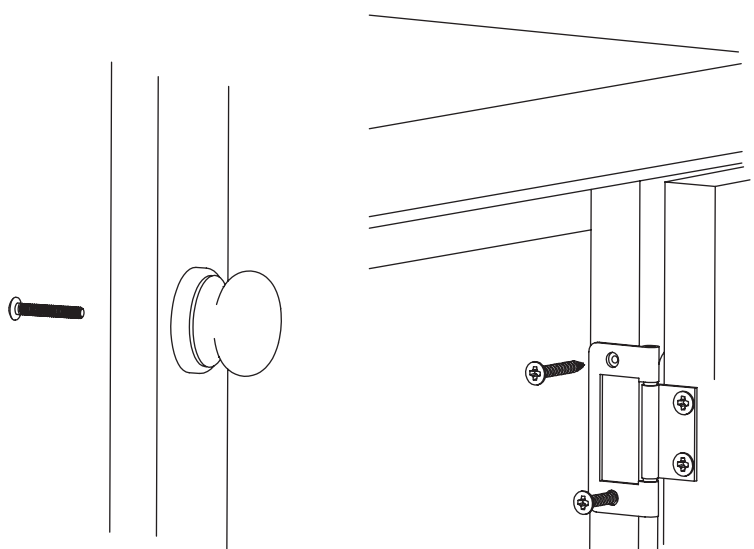




## DOORS

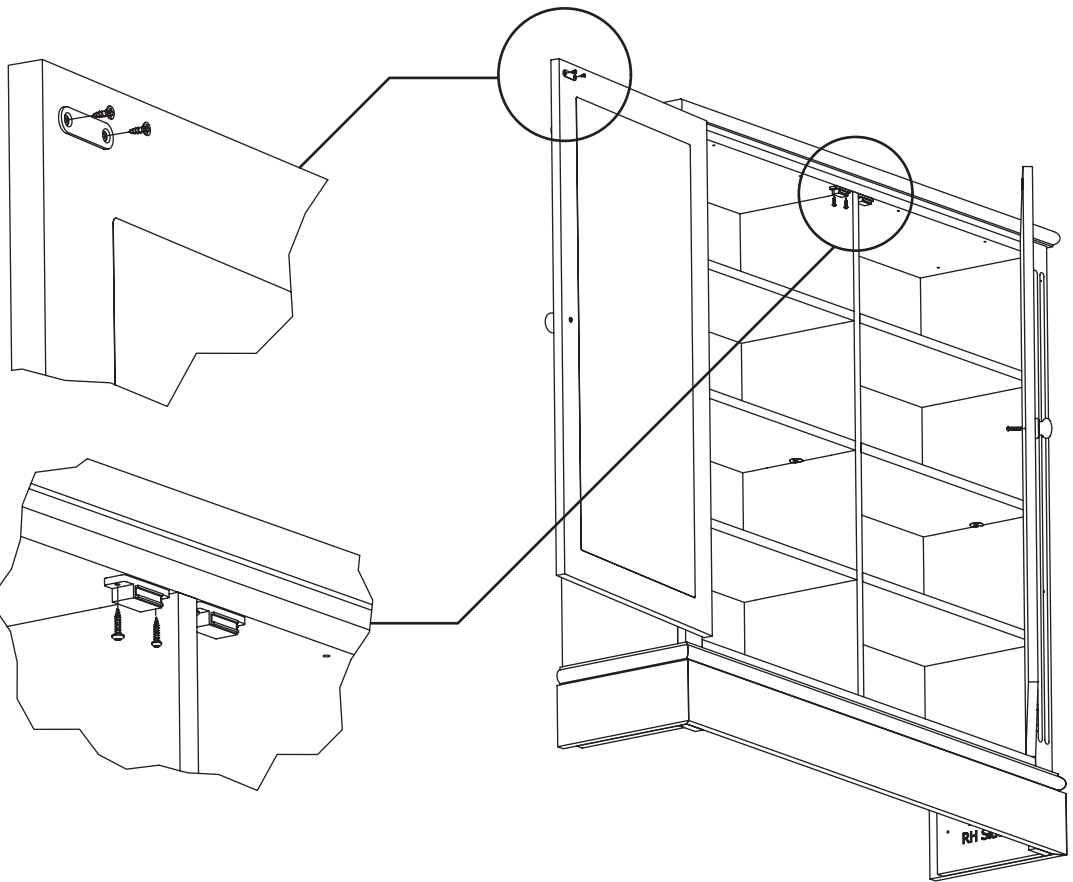
14. Fix Handles to the Doors using the Bolts provided.

15. Fix Doors in place with Hinges and 25mm CSK Screws. This will be easier with a helping hand! Ensure the butt of the hinge clears the edge of the door, so the doors are positioned correctly.



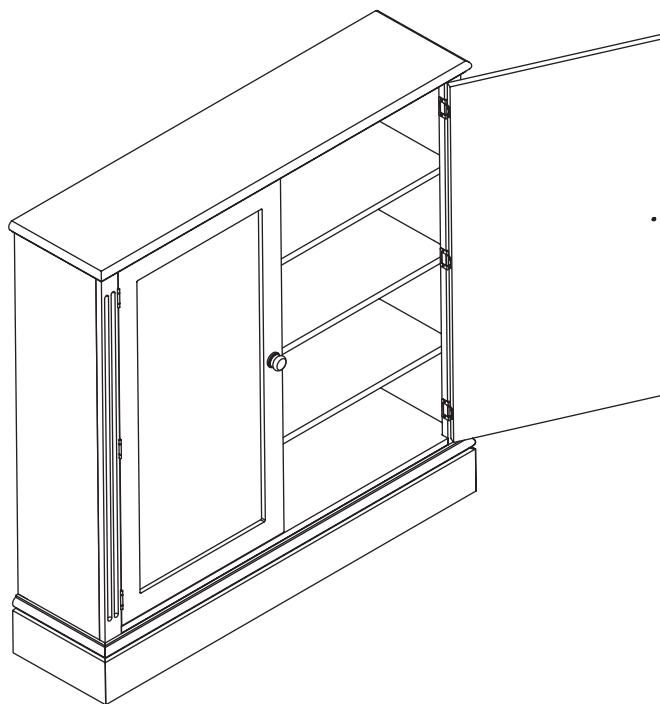
Fix with 25mm CSK Screws

Fix with 16mm  
CSK Screws



Fix with 16mm  
RND Screws

16. Fix Magnetic Catches to the Box Top with 16mm RND Screws. The Catch should be towards the front, with the magnet facing outwards. Then, fix Magnetic Catch Plates to the back of any Doors with 16mm CSK Screws.



**AND YOU'RE DONE!**

#jali #cupboard #makeityours