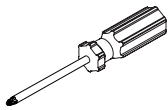


Shelving

Assembly Instructions

- Take great care handling and lifting parcels
- Open parcels with care to avoid damage
- Check the label to see the contents of each parcel
- If you have ordered several items, keep it simple: only unpack one item at a time
- Use the the Parts Diagram sheet to identify and distinguish between parts
- Any questions: call us on **01227 833333**, or email **sales@jali.co.uk**

YOU WILL NEED

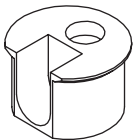


5mm Pozi
Screwdriver

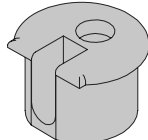
EXTRA

- You must fix your product safely in place. Depending on your situation, you may choose to use a drill, suitable screws and wall plugs. Screw through the Back Rail to fix against a wall
- If your design is side fitted (i.e. a room divider), it will not include a Back Rail. Instead, fix the Side to a wall and Top to the ceiling

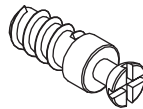
FIXINGS INCLUDED



White Cam

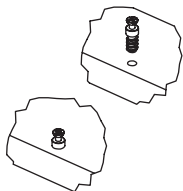


Nickel Cam

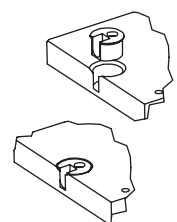


Cam Bolt

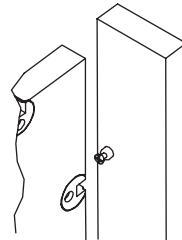
HOW DO CAM & BOLTS WORK?



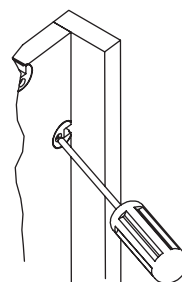
1. Screw in the Cam Bolt, up to the shoulder, into the 5mm hole in one part.



2. Push the Cam, facing outwards, into the corresponding hole on the other part.



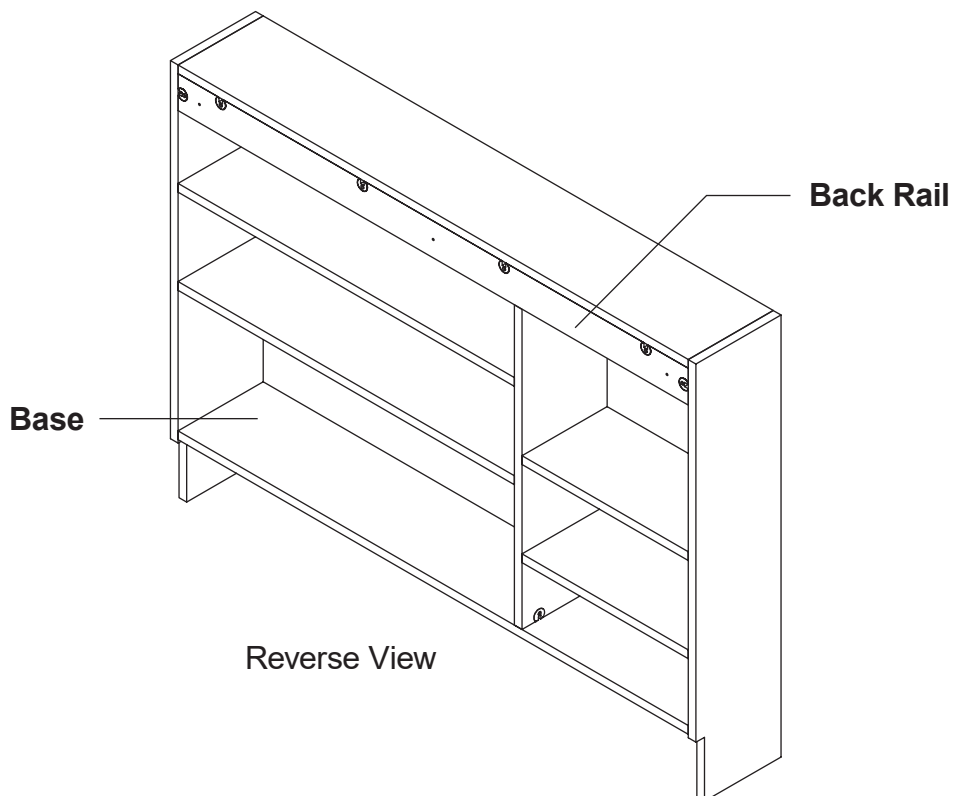
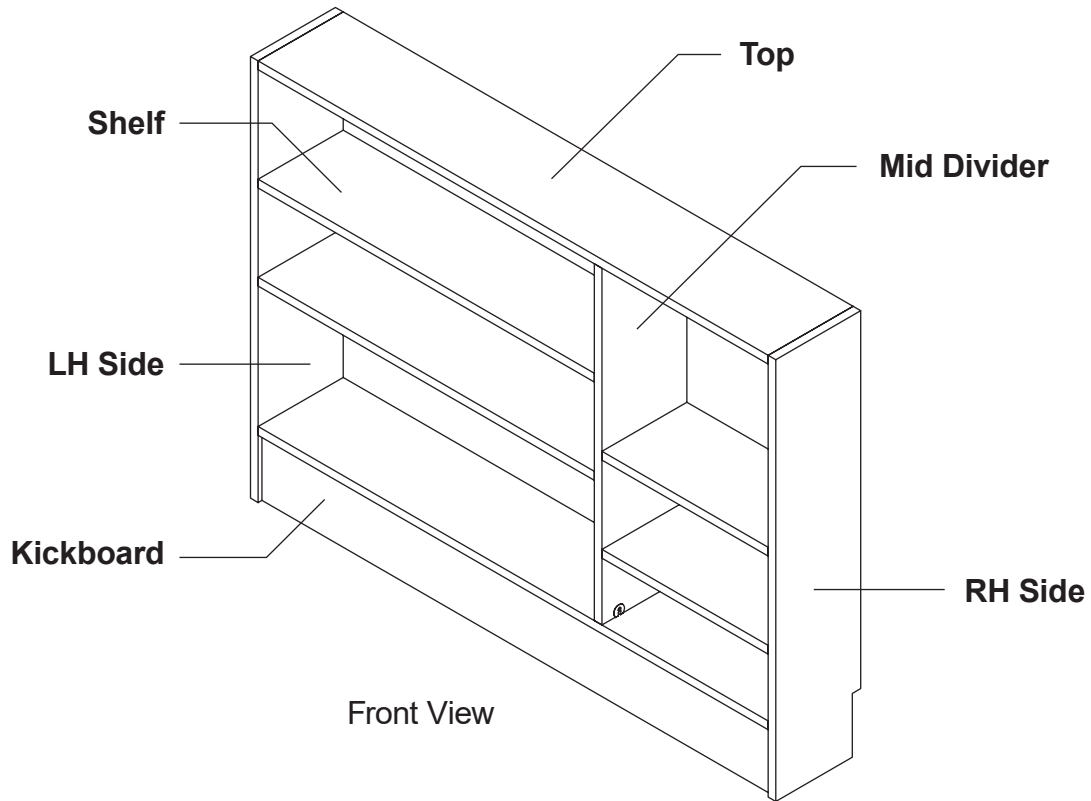
3. Push the two parts together, so that the Cam Bolts disappear into the middle of the Cams.



4. Insert a 5mm Pozi screwdriver – tilt back at a slight angle – and rotate CW to lock the Cam.

SEE HOW IT COMES TOGETHER

1. Start by identifying the parts. Your design may be different to this example, but don't worry; the approach will be very similar. Note that units without a plinth do not include a Kickboard, and side fitting units do not include a Back Rail.

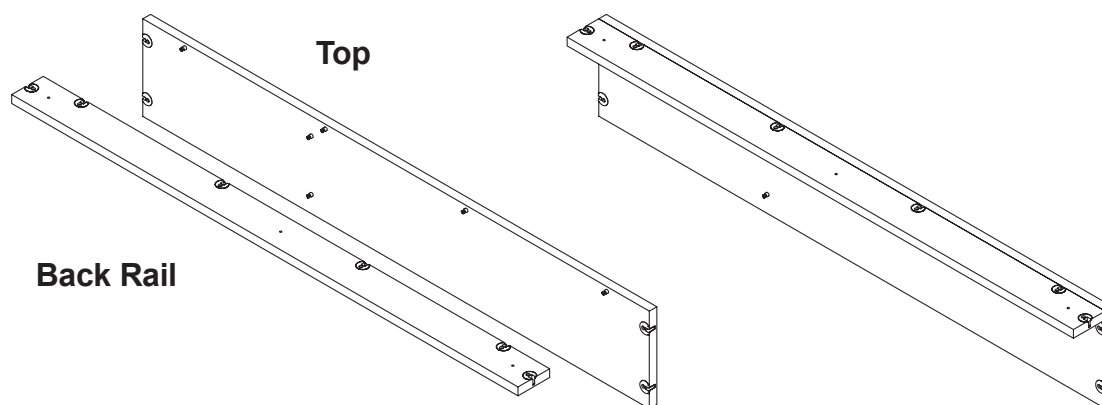


PLACE FIXINGS

2. Depending on your design, you may have a mixture of White Cams and Nickel Cams. Both Cams will fit into the same holes. The Nickel Cams are intended to be seen, while the White Cams are generally hidden. Place Nickel Cams in the available holes in the Mid Dividers, Shelves and the Top, each facing outwards. Place White Cams in the Back Rail and Kickboard. Note that the Base may be visible or not, depending on your design.

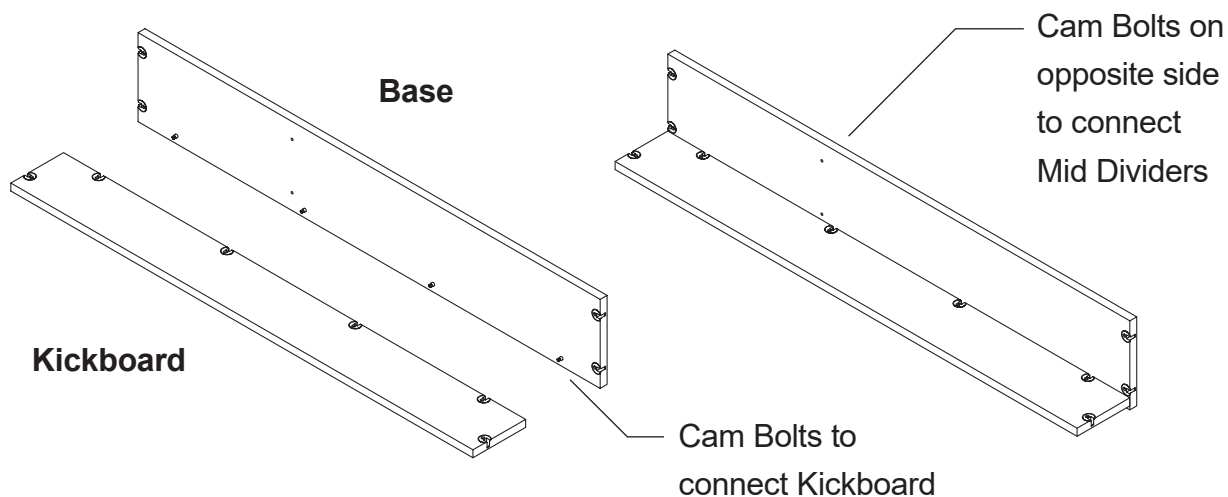
Using the screwdriver, or a power tool on a low setting, screw the Cam Bolts into the available 5mm holes on the Top, Sides and any Mid Dividers (which may require Cam Bolts on both sides). If your design features a Kickboard, the Base will require Cam Bolts on the underside. Independently, if your design features Mid Dividers, the Base will require Cam Bolts on the topside. However, these 5mm holes may be drilled all the way through.

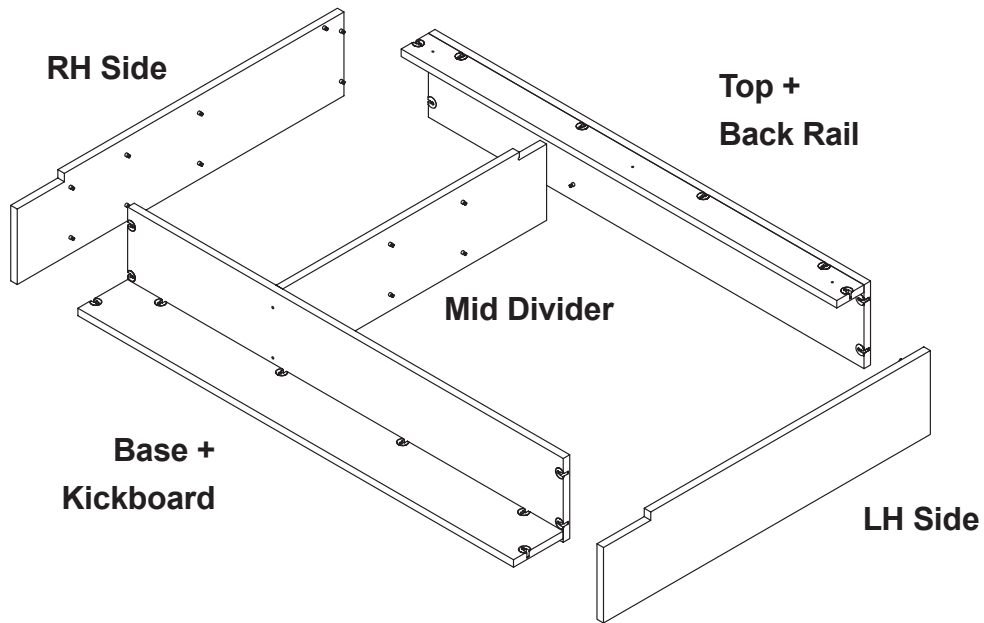
ASSEMBLY



3. If your design features a Back Rail, connect it to the Top by aligning the Cams and Bolts, and locking them into place.

4. If your design features a Kick Board, connect it to the Base with the Cam Bolts.

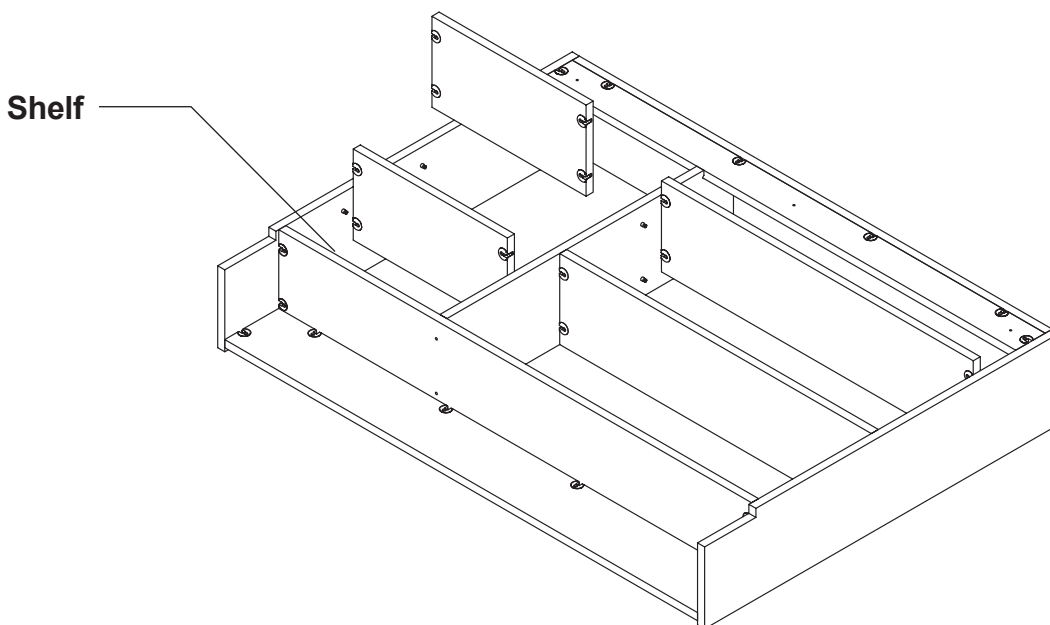




5. Starting with the Mid Dividers, connect the frame together with the unit facing down on the floor. You may find it helpful to refer to your design while laying out the parts.

6. Next, slot the Shelves into place and lock the Cams. The Shelves should rest on top of the Cam Bolts, with the Shelf Cams facing downwards toward the Base. Carefully, lift up the Shelving.

7. Once you've checked the unit is in the correct position, you can fix it to the wall however you choose. We've drilled holes in the Back Rail for you to use with appropriate wall plugs. If your design is side fitted (i.e. a room divider), it will not include a Back Rail. Instead, fix the Side to a wall and Top to the ceiling.



AND YOU'RE DONE!

#jali #shelving #makeityours