

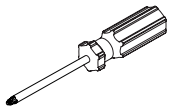
Radiator Covers

Assembly Instructions

- Take great care handling and lifting parcels
- Open parcels with care to avoid damage
- Check the label to see the contents of each parcel
- If you have ordered several items, keep it simple: only unpack one item at a time
- Use the the Parts Diagram sheet to identify and distinguish between parts
- Any questions: call us on **01227 833333**, or email **sales@jali.co.uk**

For more guidance visit <https://www.jali.co.uk/help/assembly/radiator-cover>

YOU WILL NEED

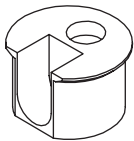


Pozi
Screwdriver

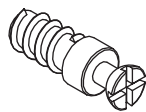
EXTRA

- You must fix your product safely in place. Depending on your situation, you may choose to use a drill, suitable screws and wall plugs
- To ensure a perfect fit with your room skirting board, you may use a jigsaw to scribe the relevant parts during assembly

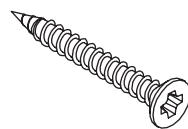
FIXINGS INCLUDED



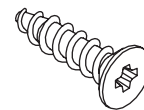
White Cam



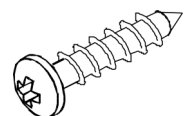
Cam Bolt



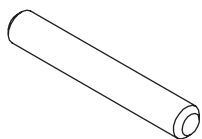
30mm CSK
Screw



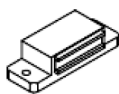
16mm CSK
Screw



Panhead Screw
16mm



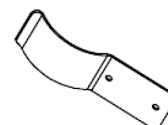
Dowel



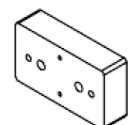
Magnetic
Catch



Catch
Plate

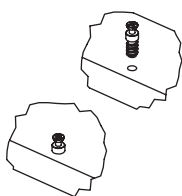


Spring
Clip

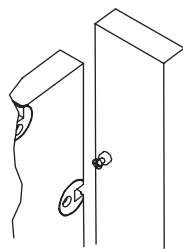


Block
Supplied for
large units

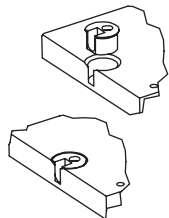
HOW DO CAM & BOLTS WORK?



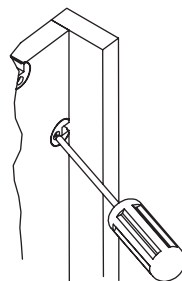
1. Screw in the Cam Bolt, up to the shoulder, into the 5mm hole in one part.



3. Push the two parts together, so that the Cam Bolts disappear into the middle of the Cams.

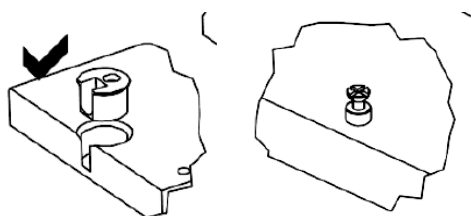


2. Push the Cam, facing outwards, into the corresponding hole on the other part.

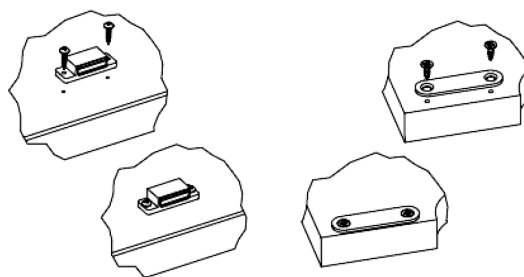


4. Insert a 5mm Pozi screwdriver – tilt back at a slight angle – and rotate CW to lock the Cam.

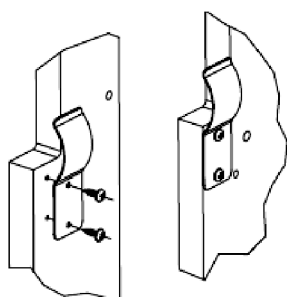
LET'S GET STARTED



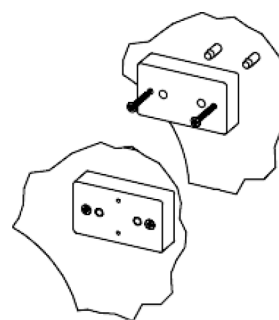
1. Start by inserting all the cams into the large circular indents along the edges of the parts, and screwing all the bolts into the 5mm holes. Get all these fixings in place, but don't fix any parts together yet.

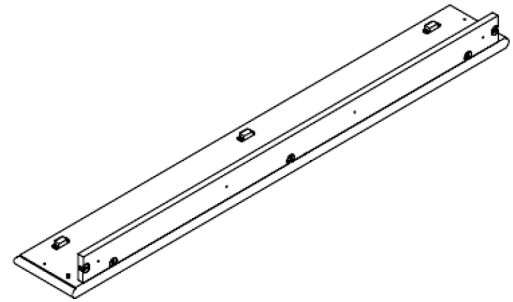


2. Fit the magnetic catches to the underside of the radiator cover top board, using 16mm panhead screws, and the metal plates to the back of the front panel, using 16mm countersunk screws.



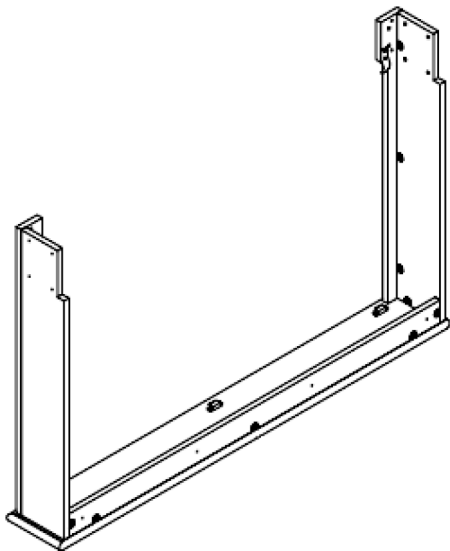
3. Fix one spring clip to each of the radiator cover uprights, using two 16mm panhead screws for each. Your radiator cover skirting board has a foot at either end. If it has any feet in the middle, you'll need to fit another spring clip above each middle foot. To do this, use two dowels to 'locate' each supplied block to the skirting board, then fix each block in place with two 30mm countersunk screws. Now you can fit a spring clip to each block, as before.





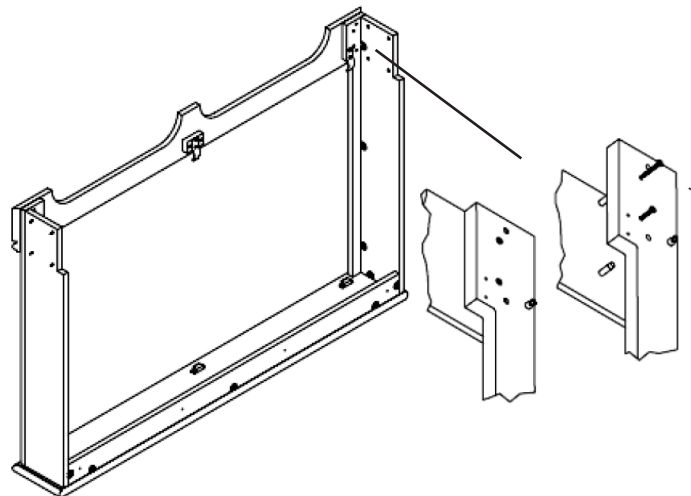
4. Find the left-hand side and the left upright. Fix them together using the cams and bolts. Do the same for the right-hand side and upright.

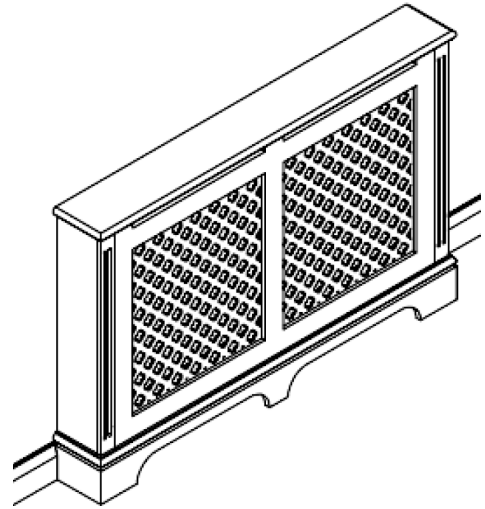
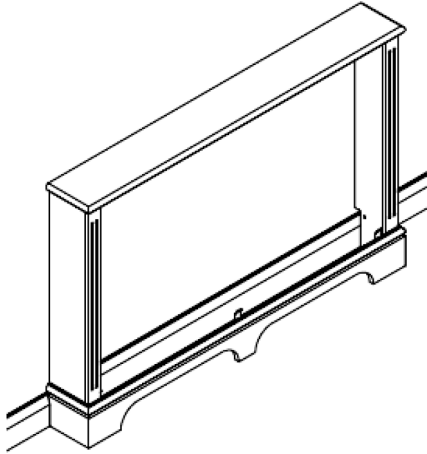
5. Put the top board on the floor with the holes facing upwards. Fix the back strut in place, again with the cams and bolts.



6. Take the left-hand side assembly and fix it to the top board. (Keep the top upside-down on the floor to do this, so the side and upright should also be upside-down, as shown here.) Tighten the two cam fittings between the top and the side panel, and one between the side panel and the back strut. Do the same for the right-hand assembly.

7. Locate the skirting onto the two uprights at either end using the 6mm dowels. Once it's in position, screw the skirting board in place using 30mm countersunk screws.





8. Turn the cabinet the right way up and move it into position against the wall. If you wish, you can cut the radiator cover's side skirting returns to match the skirting in the room for a perfect fit.

A scribing guide is in the works!

For now, please get in touch for help.

9. Put the front panel in place. Make sure the vents (and the magnetic plates) are at the top and facing the inside of the cabinet, and push the panel so it's held in by the spring clips. Once it's pushed down, the top should snap into place on the magnetic catches. To remove it for access, just pull the top of the panel gently towards you until it comes free.

10. Once you've checked the cabinet is in the correct position, you can fix it to the wall however you choose. We've drilled holes in the back strut for you to use with appropriate wall plugs.

AND YOU'RE DONE!

#jali #radiatorcover #makeityours